

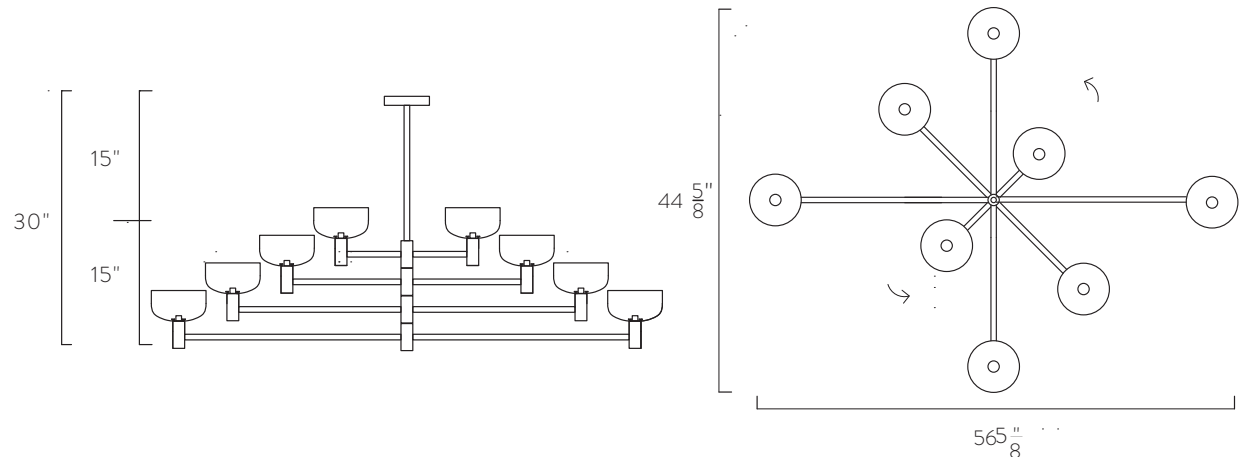
Otto Luce[®] Chandelier

CARTWRIGHTNY.COM

CAROLYN@CARTWRIGHTNY.COM

646 286 8328

NO. 0115



Otto Luce has a solid milled and tubular brass armature with handblown gilded glass shades for atmospheric light. Arms rotate into position from center axis.

MATERIALS

Shades: Blown Glass
Frame: Solid Milled and Tubular Brass
Ceiling mount Canopy: Heavy Gauge Spun Brass
Stem: Tubular Brass

FINISH

Natural Brushed Brass finish with semi-matte clear lacquer (shown), Wax finish optional. Available custom finishes: Antique Brass, Nickel, Antique Nickel, Oil Rubbed Bronze, Blackend Brass

LAMPING

per tier
US/Canada : (2) incandescent candelabra base sockets E12 C-A rated to 75wt.
40wt white, incandescent, globe-type G-16 bulb* or LED white, dimmable, globe-type equivalent.
UL listed. *Recommended

GLASS SHADE

options
Hot gilded Alabaster White glass
Hot gilded Smoky Quartz glass
Hot gilded Rose Creme
Custom options available

DIMENSIONS

Largest width 56 5/8" Smallest width 20"
Minimum overall height is 27"
Stem height: minimum of 12"
Armature is flat packed for shipment.

WATTAGE

80 watts per tier recommended

WEIGHT

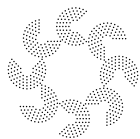
Weight varies slightly; 4 tier fixture approx. 40 lbs

REMARKS

Specify drop length / overall height
Two tiers minimum. Connects with canopy insert hanging bar directly to junction box. Indoor use and dry locations only

CARE

Clean with a dry soft cloth,
no harsh cleaning agents or chemicals



CARTWRIGHT

NEW YORK